

PC Turbidity / TSS System



Features & Benefits

Potence Controls PCTUS Turbidity / TSS System is an excellent choice for a wide range of applications like Urban Wastewater Treatment; Sanitation network; Industrial Effluent Treatment; Surface Water Monitoring and Drinking Water.

Turbidity sensors are optical sensors. The sensor measurement principle is based on the IR light method dispersed at 90° (ISO 7027). The measurement is carried out in the Infrared range.

The sensor is calibrated in the factory, so there is no need to perform calibration during initial commissioning. All the data regarding calibration, logs, users and measurements are processed directly in the sensor allowing for extremely reliable and traceable measurements.

- Infra-Red Nephelometry measurement
- Turbidity : 0 - 4000 NTU (selectable)
TSS : 0 – 4500 mg/L
- Sensor : Robust and Waterproof (IP68)
- Controller with two different type of measurement digital sensor outputs
- Backlit Display
- Password Protected Access
- Real Time clock with Battery backup.

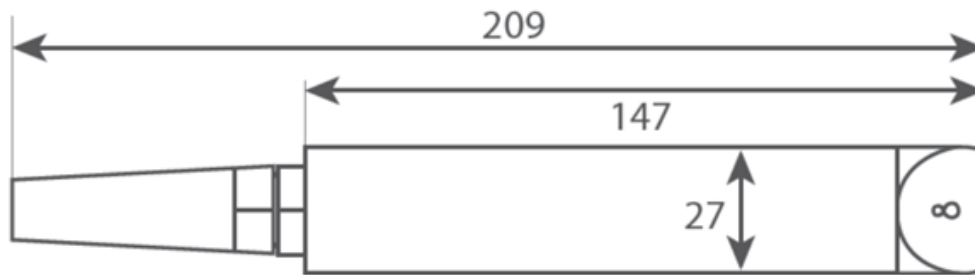
Sensor Specifications

Measurement	: IR Light method dispersed at 90° (ISO 7027)
Measurement Range	: Turbidity : 0 - 50.0 / 200 / 1000 / 4000 NTU : TSS : 0 - 4500 mg/L
Wetted, Body Material	: PVC Body
Accuracy	: < ± 5% of the reading
Resolution	: Turbidity : 0.1 NTU for 0.0 to 50.0 NTU : 1 NTU for 0 to 200 / 1000 / 4000 NTU : TSS : 1 mg/L
Max. Refreshing Time	: <1 second
Working Temp. Range	: 0 - 50°C
Max. Pressure	: 5 Bar
Sensor Cable	: Std. 7 Meter
Degree of Protection	: IP68

Sensor Specifications

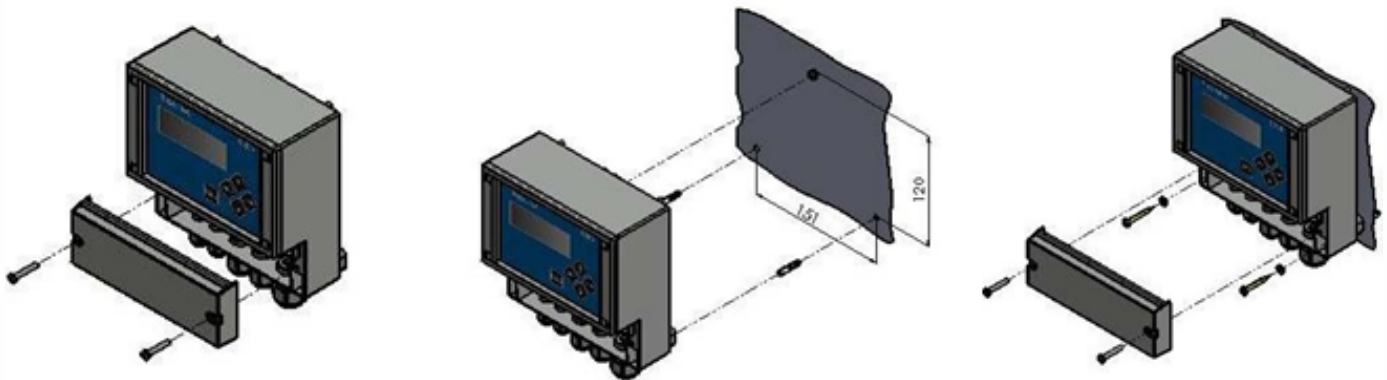
Measurement	: 2 Nos.; Digital Sensor Inputs
Display	: Backlit LCD Screen 4*20 Characters; 5 Directional Keys
Power Requirements	: 110 VAC/230 VAC; ± 10%; 50/60 Hz
Operating Conditions	: -20 to 55°C
Storage Conditions	: -20 to 65°C
Analog Output Signal	: 2 Nos.; 0 / 4 - 20 mA Isolated; Max. Load 500Ω
Digital Communications	: RS485 Output
Relays	: 3 Nos.; Electromechanical SPST; 6A; 250 VAC Max.
Controller Type	: P, PI and ON/OFF Controller
Digital Inputs	: 2 Nos.; For pulse Input or Switching Input
Digital Outputs	: 2 Nos.; Dry Contact Potential Free; 12V; 200 mA
Calibration Methods	: 2 Point Calibration
Memory	: Battery backup
Enclosure	: IP65
Enclosure Mounting	: Wall and Panel
Dimensions	: H x W x D approx. (160 x 165 x 85)
Weight	: App. 1.1 kg.

Sensor Dimensional Drawing



All dimensions in mm.

Controller Installation Drawing



Ordering Information

Model Number:

PCTUS : Turbidity / TSS System comprises of Turbidity / TSS Sensor model (PCTU) with 15 Meter Cable and Controller model (PC200)

PCTU : Turbidity / TSS Sensor; Range: Turbidity: 0 - 4000 NTU; TSS : 0 - 4500 mg/L; PVC Body; Modbus RS485 O/P; 15 Meter Cable

PC200 : Turbidity / TSS Controller; 110 / 230 VAC; 4 - 20 mA Output; Relays ; RS485 Output

In the interest of improving and updating, PCPL reserves the right to alter specifications at any time.