

# Low Range Turbidity System



## Features & Benefits

Potence Controls Low Range Turbidity PC210Tur is an excellent choice for low range of turbidity measurement application such as Drinking Water, Water intake management, Manage raw water from rivers and wells, Clean Water management.

The compact design containing built-in Bubble removal and a LED light source enables for long life thus eliminates the need for replacement of the system. The condensation prevention function maintains a stable measurement upto four decimal places.

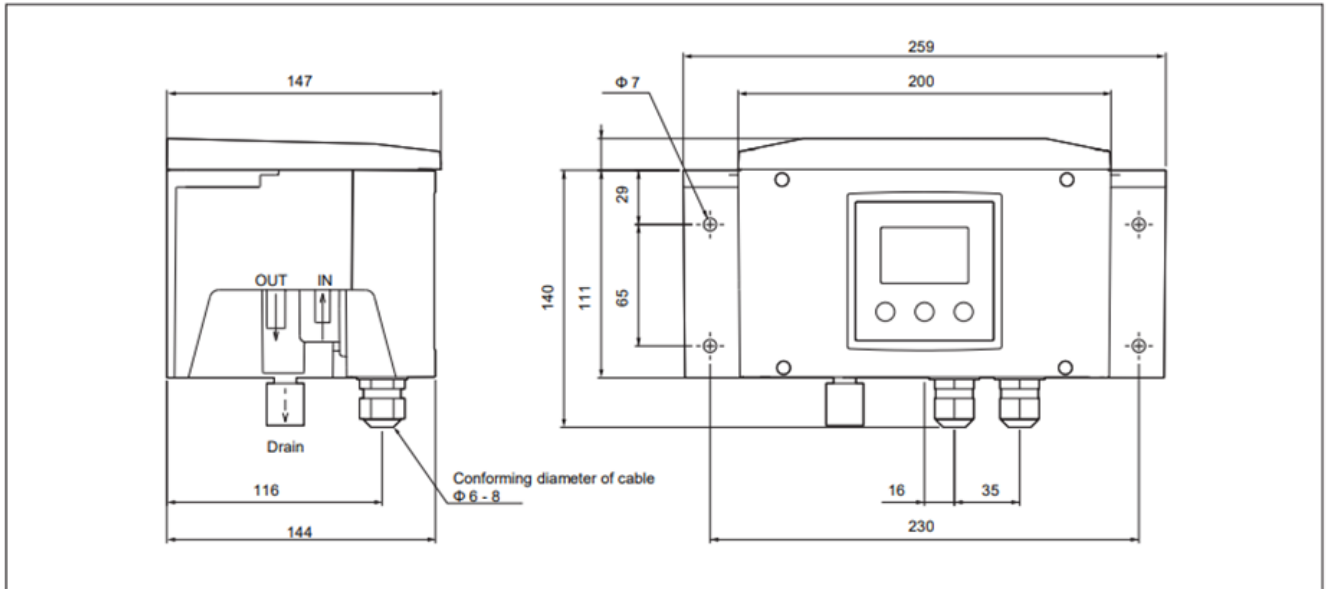
- Prevention of Dew Condensation System inside
- Built-In bubble Removal Design
- LED light source for Long Life
- IP65 Dust and Water proof Structure

## General Specifications

Measuring Principle	: 90 Degree Scattered Light Method
Measuring Range	: 0.0001 - 100.00 NTU
Display Resolution	: 0.0001 - 9.9999 NTU: 0.0001 NTU 10.000 - 100.00 NTU: 0.001 NTU
Analog Output	: 4 - 20mA Analog output
Measuring Water Flow rate	: 100 - 200 ml/min
Measuring Water Temp	: $0 \pm 50^{\circ}\text{C}$
Operating Temperature	: $-20 \pm 50^{\circ}\text{C}$ , Humidity 95% Rh or less
Enclosure rating	: IP65
Linearity	: $\pm 5\%$ of R.S. or $\pm 0.02$ NTU (whichever is greater)
Accuracy	: $\pm 5\%$ of R.S. or $\pm 0.02$ NTU (whichever is greater)
Repeatability	: $\pm 5\%$ of R.S. or $\pm 0.02$ NTU (whichever is greater)
Response Time	: Approx. 10mins. to respond 90% of conc. at 150ml/min
Dimension	: H x W x D approx. (157 x 259 x 147 mm)
Weight	: Approx. 2 Kg

Note: Specifications and design are subject to change without prior notice.

## Dimensional Drawing



## Ordering Information

### Model Number:

PC210Tur : Turbidity System, Range: 0 - 100 NTU, 4 - 20mA Output

**Note :** Turbidity System comes with Flow Meter mounted onto Skid assembly.

In the interest of improving and updating, PCPL reserves the right to alter specifications at any time.