

## PC2000 pH/Conductivity Single/Dual Channel Controller



### Features & Benefits

Potence Controls PC2000 series Single/Dual Channel Analyzers pH/ORP/Conductivity/TDS measurements incorporate state of the art technology to provide flexible and reliable solutions to the customer for their Process Monitoring and Control needs. Any two of the measurements from pH / Redox (ORP) / Conductivity / Total Dissolved Solids (TDS) can be freely selected for use with the PC2000 Analyzer via software, thus reducing the need of individual dedicated controllers, the PC2000 can be picked up off the shelf and can be used for any 2 of the above measurements.

The large backlit display has been designed to operate in all types of environments and provides information on Main measured value and Temperature simultaneously. PC2000 not only measures but provides Retransmission via 2 Nos. of 4-20 mA outputs and RS - 485 digital communication.

The Analyzer is suitable for all types of mounting such as wall; Pipe and Panel. The simple keypad and logical menu structure make the PC2000 easy to use. All stored parameters and calibration data are retained in the Non-volatile memory in case of Power failure. All these and several more features make this Analyzer very useful product for both OEMS and End users alike.

- Single/Dual Channel Analyzer
- Selectable for any 2 of pH / ORP / Conductivity / TDS in any calibration.
- High Visibility Backlit Display
- Guided calibration procedures
- 2 nos. 4-20 mA Isolated Outputs
- 4 nos. Relay Outputs
- Modbus RS 485 Output
- Non- Volatile Memory

## Controller Specifications

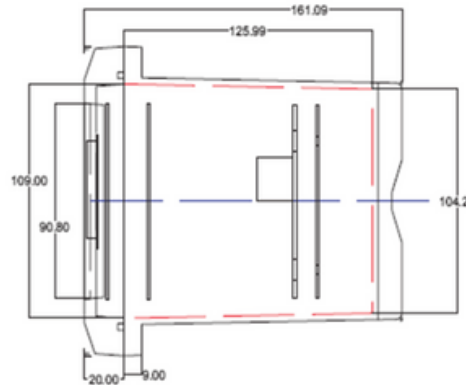
Measurement	: pH/ORP or Conductivity or Total Dissolved Solids (TDS) (Freely selectable via software)
Display	: Graphic LCD with Backlit Display
Display Dimension	: 60*30 mm
Power Requirements	: 100 - 270 VAC $\pm$ 10%, 50/60 Hz
Operating Conditions	: Temperature: 0 - 65°C, RH - 0 - 95% Non-Condensing
Storage Conditions	: Temperature: 0 - 75°C
Analog Output Signal	: Two Nos. 4 - 20mA isolated current outputs, max 600 $\Omega$
Analog Output Function	: Retransmission
Relays	: Four Nos. Electrochemical SPDT; 10 A; 115/230 VAC
Relays Operational Mode	: Control and Alarm
Digital Communication	: Modbus RS 485 Output
Memory	: Non - Volatile
Calibration Methods	: Refer Sensor Data Details
Test / Maintenance	: Provides Analog output Test Signals to confirm operation of connected devices & Test Relay Operation
Enclosure	: Thermoset Plastic ; SS
Enclosure Dimension	: H x W x D (144 x 144 x 132 mm)
Conduit Entry / Nos.	: 1/2" NPT; 6 Nos.
Enclosure Rating	: IP65
Mounting	: Wall; Panel; Pipe
Weight	: Approx. 1.60 kg



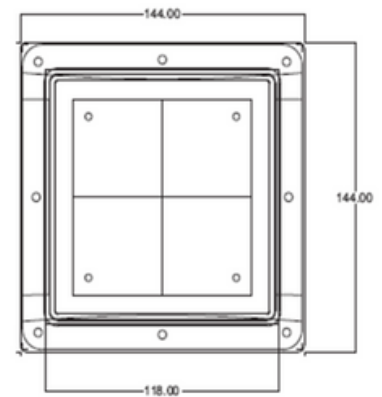
## Dimensional Drawing

144 mm

144 mm



SIDE VIEW



PANEL CUT-OUT

## Order Information

### Model Number:

**PC2000** : Indicator/Controller; 100 - 270 VAC; 50/60 Hz; 4-20mA; Relays; RS485; Panel Mount

### Sensor Input Type:

- 1: Single Channel
- 2: Dual Channel

- Mode selection: 1. PC2000-1 : Single Channel Input Type Controller  
 2. PC2000-2 : Dual Channel Input Type Controller

## Also Consider Our pH and Conductivity Sensors



In the interest of improving and updating, PCPL reserves the right to alter specifications at any time.