

PC pH100 pH/mV Loop-Powered Transmitter



Features & Benefits

Potence Controls pH / ORP Transmitter is a Loop - Powered 4 - 20 mA transmitter with a wide range of useful features and programmable options. The 2-wire design comes with Input to Output isolation ensures crisp clear signal transmission in noisy environments. User friendly and very reliable transmitter comes with a large LCD which displays measured pH / ORP and Temperature simultaneously. Offset adjustment function allows user to adjust the readings conveniently without removing the sensor from the process media. Two buffer choices are available in two-point calibration mode. The 4 - 20mA output is scalable in pH or mV units. All stored parameters and calibration data are retained in the non-volatile memory during transmitter power down or power loss. The PCpH100 can be used for wall mounting, panel mounting. The case meets NEMA and IP65 ratings.

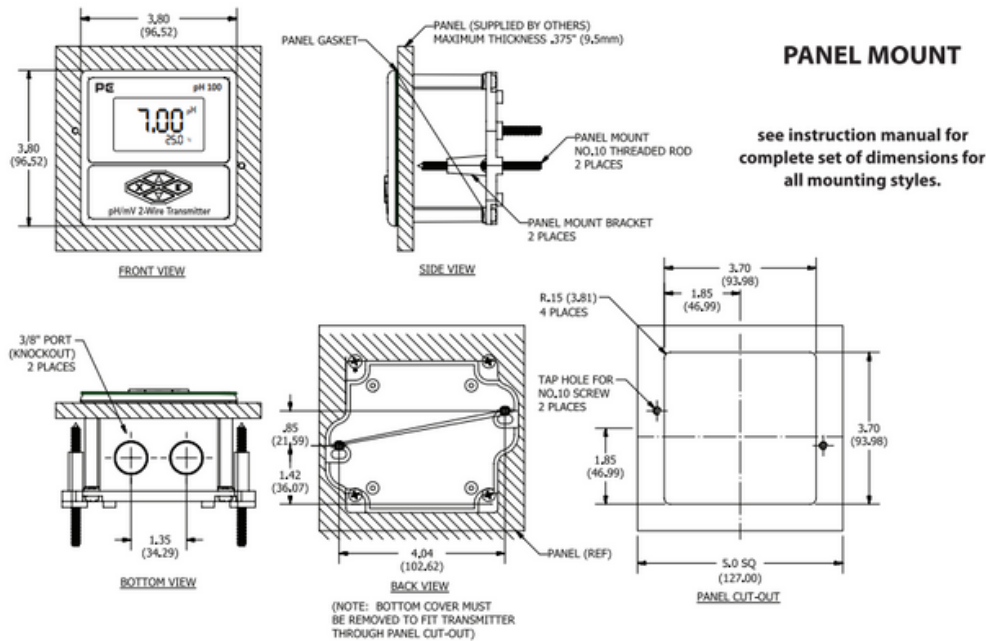
- 4 - 20mA Output
- Non-Volatile Memory
- Output current Indicator for Out-of-range and hold Conditions
- Large segmented display indicates pH or mV &Temp Simultaneously
- Flashing Screen icons indicate mode of operation
- Programmable probe clean reminder

General Specifications

Measuring Range	: 0.00 to 14.00 pH
Resolution	: 0.01 pH
Accuracy	: +/- 0.01 pH
Measuring Range (ORP/mV)	: -1999 mV to 1999 mV
Resolution	: 1 mV
Accuracy	: +/- 2 mV
Temperature Input	: PT1000
Temperature Range	: -20 °C - 100 °C
Temperature Compensation	: Automatic/Manual
Analog Output	: 4 - 20 mA (Galvanic Isolation)
Enclosure	: NEMA 4X, IP65, ABS case with push-button control pad
Display	: Large LCD Display
Dimension	: H x W x D approx. (99.1 x 99.1 x 74.7 mm)
Mounting Options	: Wall, Panel, DIN rail and Pipe
Conduit Openings	: 2 each 3/8" NPT openings
Ambient Temperature	: 0 - 60 °C
Ambient Humidity	: 0 - 95 %, Non - Condensing
Power Requirement	: 12 - 24 VDC, 8 A max
Weight	: Approx. 1lb (.45kg)
Calibration	: 2 point
Memory	: Non-Volatile

*These performance specifications are typical at 25°C

Dimensional Drawing



Order Information

Model Number:

PCpH100: 2 Wire pH/ORP Transmitter/Indicator; 4 - 20 mA Output; Wall and Panel Mount

Also Consider Our pH Sensors



In the interest of improving and updating, PCPL reserves the right to alter specifications at any time.