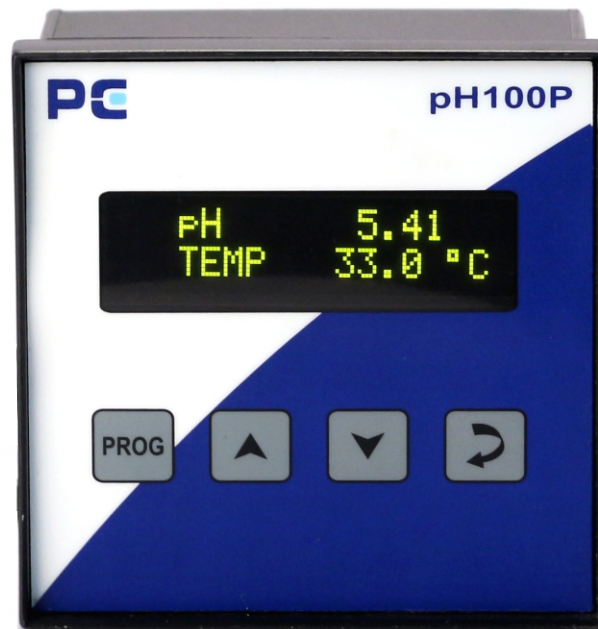


## PC pH100P pH Controller / Indicator



### General Description

POTENCE CONTROLS PC series pH Controller model pH100P is a versatile instrument with a wide range of useful features and programmable options. The Controller is suitable for use by both OEMS and End Users alike. The measured values include pH and Temperature. With built-in Auto Temp. Compensation, the measured pH values are accurate to the decimal. With Two nos. of 4-20mA outputs and 2 relays, it caters to the basic requirements of the OEMS as well as the End user.

User Friendly Menu structure, Diagnostics like pH Sensor open and state of the art OLED display for bad light conditions makes the pH100P a preferred choice for front end operator. The outputs are scalable for pH and Temperature and can be freely programmed over the entire range. All stored parameters and calibration data are retained in the Non-volatile memory during Power outages. All these and several more features make the pH100P a very useful product for both OEMS and End Users alike.

### Standard Features

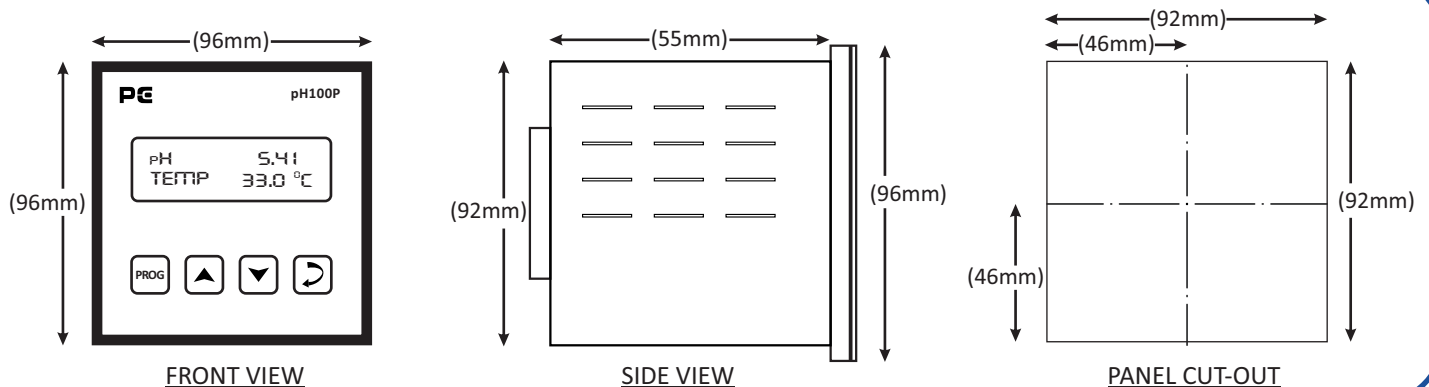
- Measures pH and Temperature
- 2 nos. 4-20mA analog output
- 2 nos. SPDT Relays
- OLED Display
- Non-Volatile Memory
- Inbuilt Diagnostics

## Specifications

Measuring Range (pH).....: 0.00 to 14.00 pH  
Resolution (pH).....: 0.01 pH  
Accuracy (pH).....: +/- 0.1 % of FS  
Measuring Range (Temp.)...: -15.0°C to 150.0°C  
Resolution (Temp.).....: 0.1 °C  
Accuracy (Temp.).....: +/- 0.5 % of FS.  
Temp. Compensation.....: Automatic / Manual  
Calibration (pH).....: 2 Point  
Memory.....: Non Volatile ( EEPROM )  
Power Supply.....: 100-270 VAC , 50 Hz  
Display.....: OLED,  
2\*16 Alphanumeric

Analog Output 1 (pH).....: 4-20 mA  
(Max. Load 600 Ohms)  
Analog Output 2 (Temp.)...: 4-20 mA  
(Max. Load 600 Ohms)  
Relay A (HI set point).....: 230 VAC , 5 A ,  
Potential free contact, SPDT  
Relay B (LO set point).....: 230 VAC , 5 A ,  
Potential free contact, SPDT  
Enclosure Material.....: ABS  
Dimensions (H x W x D).....: (96 x 96 x 55) mm  
Mounting.....: Panel  
Weight.....: Approx. 0.5 Kg

## Dimensional Drawing



## Ordering Information

<u>Part No.</u>	<u>Description</u>
PC pH100P	: pH Controller / Indicator, 100-270 VAC, Panel Mount